

# BOXMOBIL



FLOOR & OPEN SPACES

**FREE STANDING AWNING FOR LARGE  
SHADED AREAS – OVER 484 FT<sup>2</sup>**



# BOXMOBIL OS7000



Round and square design



Shaded areas individually extending



Drop down valance



- Large shaded area with only two supports
- Left and right shading side protected in separate boxes
- Choice of round or square round boxes
- Left and right shading area which can be operated individually
- Does not generally require a building licence
- Anchoring options for the supports using recessed floor sleeves or concrete bases
- Quick and easy assembly
- Optional lighting system available
- Optional drop down valance: Acrylic fabric to max. 3' 11" and Soltis 86/Soltis 92 to max. 5' 7" high. Improved winding thanks to the floating system (floating roller)
- Can be combined with STOBAG aluminium floor systems (I.S.L.A. Concept)

## OS7000

min. 6' 11"  
max. 21' 9"\*

min. 9' 10"  
max. 23' 0"

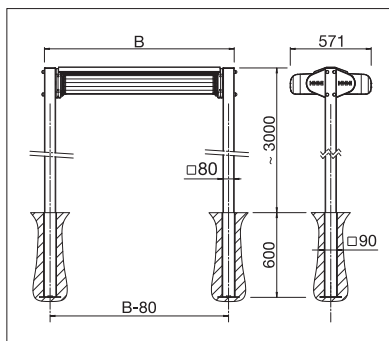
Post height  
~9' 11"

\*from 20' 1" only with motor

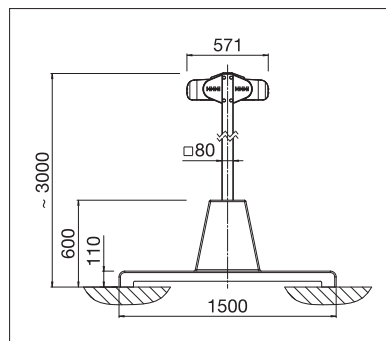
CLASS 2 REAUFORTS  
The wind resistance class can vary depending on version and dimension.



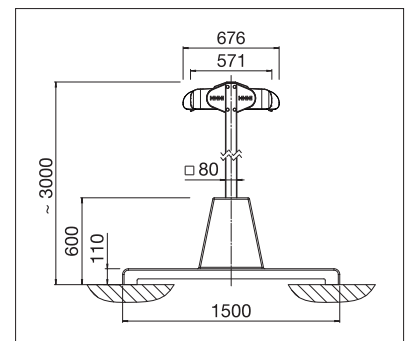
Technical dimensions in millimetres (1 mm = 0.03937")



Wall floor sleeves



With concrete base



With concrete base and drop down valance



## COLORS

Discover the diverse options when selecting frame colors.



## FABRICS

Choose from a comprehensive range of materials and colors.



## ELECTRICS

More convenience thanks to the automated control.