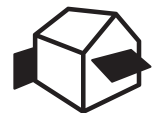




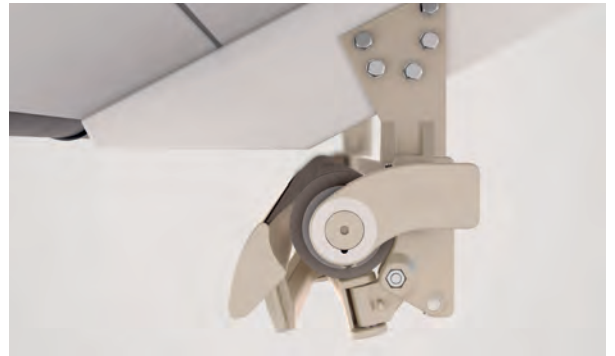
BALCONY & TERRACE
**RIGID FOLDING-ARM AWNING WITH 4-EDGE
BACK BAR**



AZUR SG2400



Wall installation with top board




Rafter fixing

- Sturdy and low cost 4-sided back bar awning
- Awning incline adjustable from 1° to 60°
- Various mounting options to the wall, below the ceiling or to the frames
- Variable bracket positioning
- Choice of different types of brackets
- Optional top board available
- Optional Valance provides additional shade and hides the awning arms from view
- Elegant and timeless design

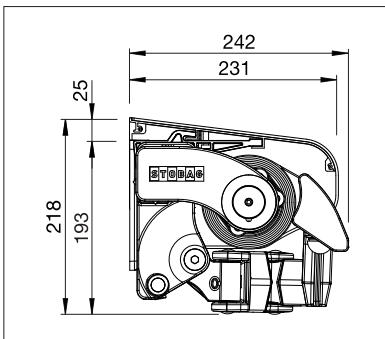
 min. 5' 11"
 max. 23' 0"

 min. 4' 11"
 max. 9' 10"

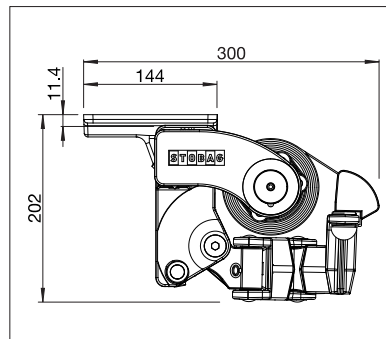
 CLASS 2
 HEADWINDS The wind resistance class can vary depending on version and dimension.



Technical dimensions in millimetres (1 mm = 0.03937")



Wall installation with top board



Top installation



COLORS

Discover the diverse options when selecting frame colors.



FABRICS

Choose from a comprehensive range of materials and colors.



ELECTRICS

More convenience thanks to the automated control.