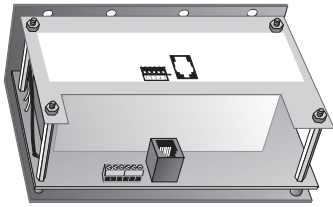


DESCRIPTION



SOMFY'S Synchronized Control is designed to control two motors simultaneously. When two Somfy motors are mounted in a single tube, moving a single window treatment, it is important that the motors coincide with each other. The Synchronized control actuates and stops both motors at the same time. This helps prevent damage to the tube, motor and window treatment. The Synch Control comes with either momentary or maintained outputs to suit various installation requirements.

Part No: 1822159 Momentary Output

Part No: 1822161 Maintained Output

OPERATING INSTRUCTIONS

A. System Power Up

1. With power off, wire the Synchronizing Control as indicated below. Turn all circuit breakers on (Note: motors should not move).
2. Reset the limits of each motor by pressing in both limit switches of each motor (4 total). **NOTE:** until the limits are set, caution must be exercised when moving the window treatment.
3. Activate the UP direction using the low voltage switch. If the motorized window treatment does not raise or retract, reverse the black and red wires on both motors.
4. When the treatment has reached the desired upper limit, depress the limit switch (switch is now out) on one motor, then the other. The upper limits are now set.
5. Activate the DOWN direction using the low voltage switch. When the treatment has reached the desired lower limit, depress the limit switch on the first motor, then the other. The lower limits are now set.

NOTE: Damage to the motor may occur over time if limits are not set on both motors.

B. Momentary Output Operation

Connect a single-pole, double-throw switch to the terminal bloc as indicated below. When the UP direction is activated, the window covering will raise. The treatment will move for the duration the switch is activated. When the switch is moved to the CENTER position, the motors will stop.

C. Maintained Output Operation

Connect an IGC switch to the modular jack as indicated below. If the DOWN button is pressed, the window treatment will lower or extend. Press the STOP button at any time to stop the motors.

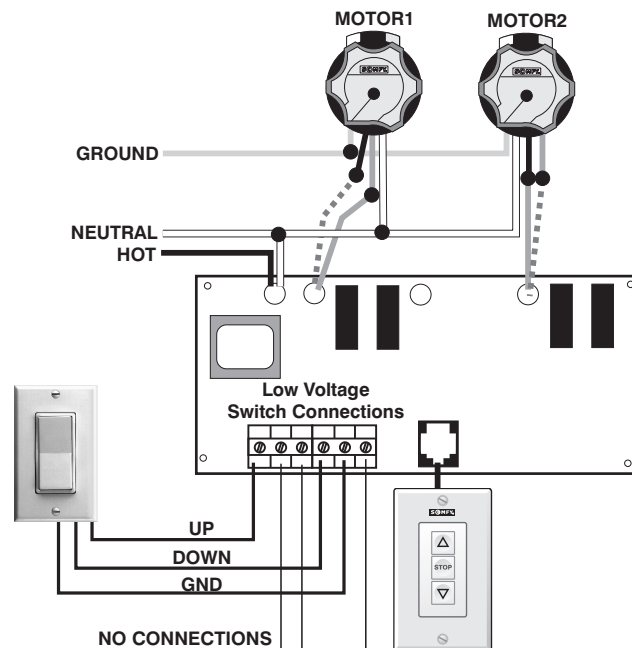
WIRING DIAGRAM

COLOR CODE

	BLACK
	BROWN
	RED
	WHITE
	GREEN

POWER	MOTOR1	MOTOR2	SYNCHRO
BLACK	WHITE	WHITE	BLACK
WHITE	WHITE	WHITE	WHITE
GREEN	GREEN	GREEN	GREEN
	RED	BLACK	RED
	BLACK	RED	BROWN

Fuse rated at 15A, 250vAC



SOMFY CANADA

6315 Shawson Drive, Unit #1
Mississauga, Ontario L5T1J2

SOMFY SYSTEMS, INC.

121 Herrod Boulevard
Dayton, NJ 08810