

NEW

VENTOSOL



WINDOW & FACADE

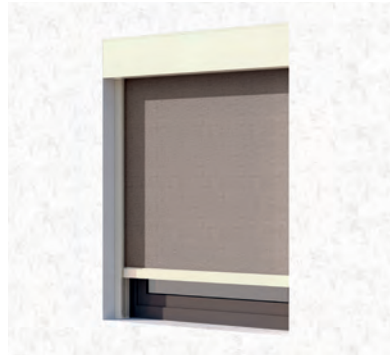
**MODERN VERTICAL SHADING WITH
SIR SYSTEM FOR OPTIMUM FABRIC TENSION**



VENTOSOL VS6200



SIR system



Soffit mounting



Square box

- Cubic box shape – fits harmoniously into the modern architecture
- Design with clear lines, no disruptive plastic parts
- Drop profile recessed into the box
- Motor drive with obstacle detection available
- Hirschmann connector can be stowed in the box
- New connection between box and guide rails simplifies assembly
- Service-friendly version (service opening + simple removal of the fabric shaft)
- Blockout variant optional
- New 2-piece guide rail with SIR system for high fabric tension

VS6200



min. 2' 6"
max. 16' 5"



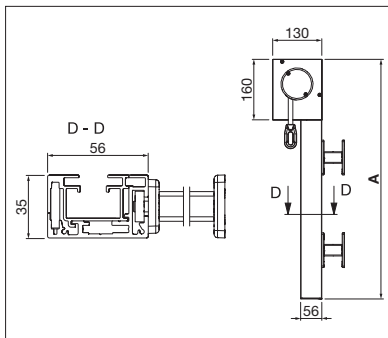
min. 1' 8"
max. 16' 5"



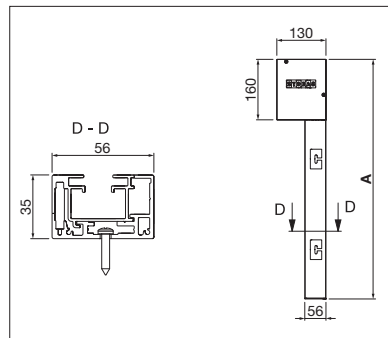
max. 50 km/h / 31 mph



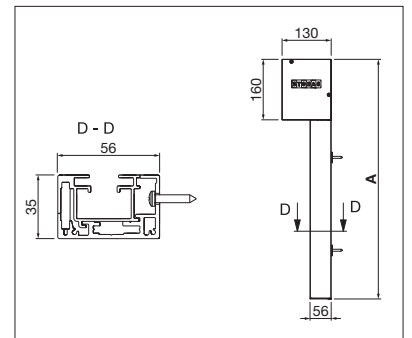
Technical dimensions in millimetres



VS6200
Mounting with fastening brackets



VS6200
Soffit mounting



VS6200 Wall mounting with direct
screw connection



EN 13561



REGISTRATION
REQUIRED



COLOURS

Discover the diverse options when selecting frame colours.



FABRICS

Choose from a comprehensive range of materials and colours.



ELECTRICS

More convenience thanks to the automated control and lighting systems.

More information at www.stobag.com

