



WINDOW & FACADE

COMPACT VERTICAL AWNING WITH ROUND PROTECTIVE BOX



UNIVERSAL US3910



Wire rope guides



Rod guides



Guide rails

US3910

- Compact box system with round protective box
- Mounting options on to the wall, below the ceiling or in the soffit
- Various guide systems: Wire rope, rods or aluminium profile
- Elegant system for use before glass fronts or roofed terraces
- Manual operation through the wall possible using gear unit/joint plate
- Coupling options for max. 3 units

	min.	1' 4"
	max.	14' 9"
	min.	1' 4"
	max.	13' 1"*

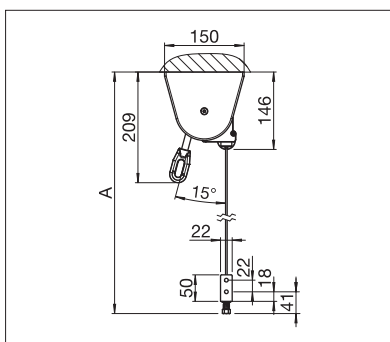
*with cable/rod design to max. 9" 10" high



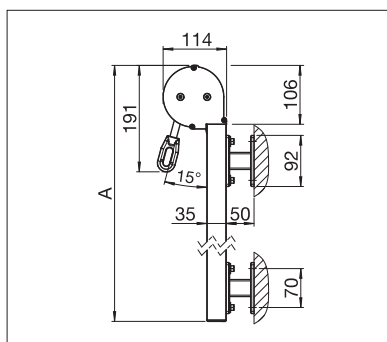
max. 50 km/h / 31 mph



Technical dimensions in millimetres (1 mm = 0.03937")



US3910 Top installation



US3910 Offset wall mounting



REGISTRATION REQUIRED



COLOURS

Discover the diverse options when selecting frame colours.



FABRICS

Choose from a comprehensive range of materials and colours.



ELECTRICS

More convenience thanks to the automated control.

More information at www.stobag.com

