



BALCONY & TERRACE
RIGID AND MULTI-PURPOSE BOX AWNINGS



TENDABOX BX3000



Round or square design



Drop down valance

- Sealed box protects from the elements
- Various mounting options to the wall, below the ceiling or to the frames
- Simple and proven installation system for hanging
- Awning incline adjustable from 0° to 85°
- Choice of square or round design
- Optional cover to hide cover roller shaft
- Optional drop down valance with rounded box: Acrylic cover to max. 3' 11" and Soltis 86/Soltis 92 to max. 5' 7" high. Improved winding thanks to the floating system (floating roller)
- Optional wall joint profile prevents rain water entering between façade and awning



min. 6' 5"
max. 21' 4"



min. 4' 11"
max. 13' 1"*

* with drop down valance max. 11' 6" projection;
with gearbox max. 19' 8" width x 13' 1" projection



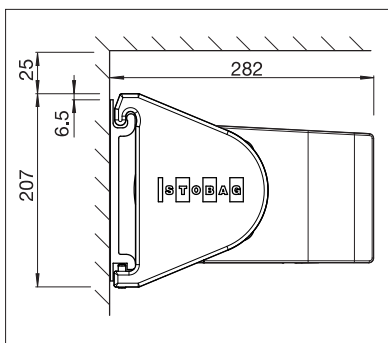
max. 50 km/h / 31 mph



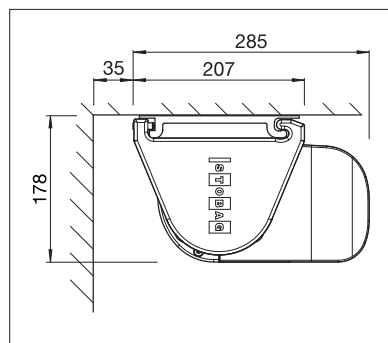
max. 39 km/h / 24 mph
with drop down valance



Technical dimensions in millimetres (1 mm = 0.03937")



Wall installation, Square design



Top installation, Round design



REGISTRATION
REQUIRED



COLOURS

Discover the diverse options when selecting frame colours.



FABRICS

Choose from a comprehensive range of materials and colours.



ELECTRICS

More convenience thanks to the automated control.

More information at www.stobag.com

