

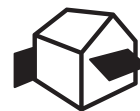


SIRO



BALCONY & TERRACE

**CAN BE USED FOR LATERAL SHADE
AS WELL AS FOR PROTECTION AGAINST
WIND AND PRYING EYES**



SIRO SR5000



Wall fixing



Wall installation

- Can be used for lateral shade as well as for protection against wind or prying eyes
- Integrated spring shaft ensures high cover tensioning
- Various installation options such as wall brackets, floor sleeves or supports
- Swivel mounting flange allows awning to be rolled up in any direction

SR5000

Box width

	min.	3' 11"
	max.	6' 7"

Pull out length

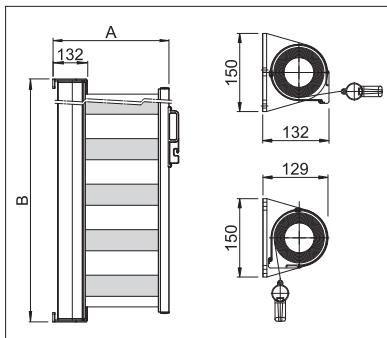
	min.	3' 3"
	max.	13' 1"



max. 50 km/h / 31 mph



Technical dimensions in millimetres (1 mm = 0.03937")



SR5000 Wall fixing



REGISTRATION
REQUIRED



COLOURS

Discover the diverse options when selecting frame colours.



FABRICS

Choose from a comprehensive range of materials and colours.

More information at www.stobag.com

