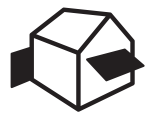


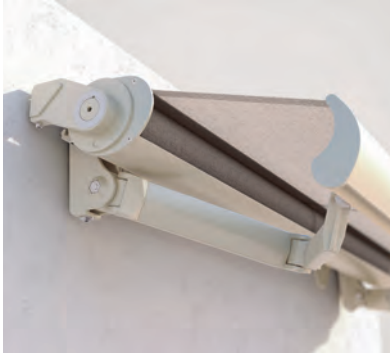


BALCONY & TERRACE

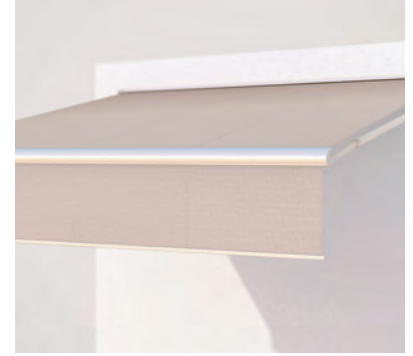
RIGID AND MULTI-PURPOSE SEMI-CASSETTE AWNING



SELECT-BOX S8250



Protective boxes



Drop down valance

- Extremely stable due to triangular back bar technology
- Cover protected in box when retracted, external folding arm
- Various mounting options to the wall, below the ceiling or to the frames
- Variable bracket positioning
- Awning incline adjustable from 5° to 60°
- Optional Valance provides additional shade and hides the awning arms from view
- Optional drop down valance: Acrylic cover to max. 3' 11" and Soltis 86/Soltis 92 to max. 5' 7" high. Improved winding thanks to the floating system (floating roller)



min. 5' 7"
max. 19' 8"



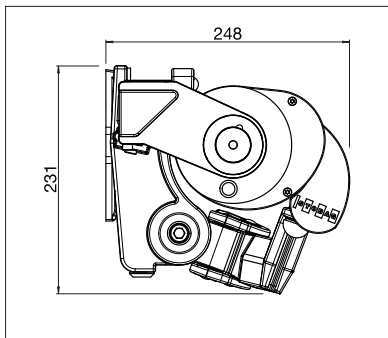
min. 4' 7"
max. 11' 6"



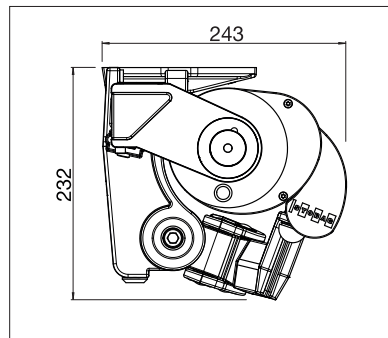
max. 50 km / h / 31 mph



Technical dimensions in millimetres (1 mm = 0.03937")



Wall installation



Top installation



REGISTRATION
REQUIRED



COLOURS

Discover the diverse options when selecting frame colours.



FABRICS

Choose from a comprehensive range of materials and colours.



ELECTRICS

More convenience thanks to the automated control.