



# OMBRA MOBIL



FLOOR & OPEN SPACES

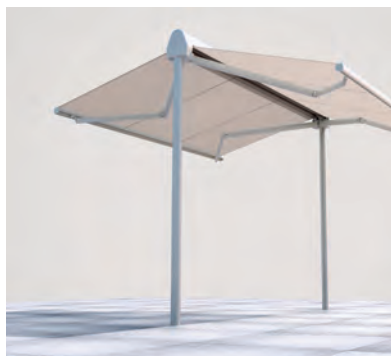
**FREE-STANDING DOUBLE AWNING WITH  
INTEGRATED COVER BOARD**



# OMBRAMOBIL OS4000



Transverse foot



Floor sleeve



Integrated cover board



- Awnings protected by cover board
- Does not generally require a building licence
- Anchoring options for the supports using recessed floor sleeves or diagonal feet
- Drop profile fitted with integrated gutter
- Quick and easy assembly
- One-sided wall fastening possible instead of a support
- Can be combined with STOBAG aluminium floor systems (I.S.L.A. Concept)

## OS4000

min. 10' 4"  
max. 18' 3"

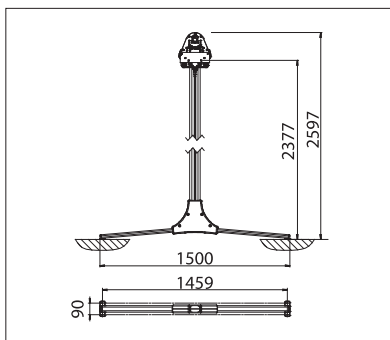
min. 9' 10"  
max. 14' 9"

Post height  
max. 8' 6"

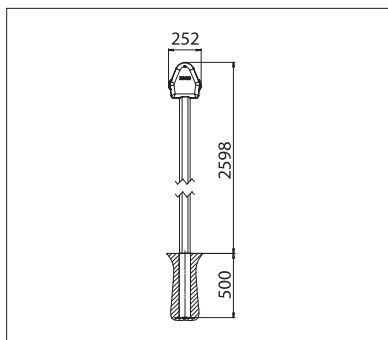
CLASS 2  
The wind resistance class can vary depending on version and dimension.



Technical dimensions in millimetres (1 mm = 0.03937")



Side view with diagonal foot



Side view with floor sleeves



REGISTRATION  
REQUIRED



### COLOURS

Discover the diverse options when selecting frame colours.



### FABRICS

Choose from a comprehensive range of materials and colours.



### ELECTRICS

More convenience thanks to the automated control.

More information at [www.stobag.com](http://www.stobag.com)

